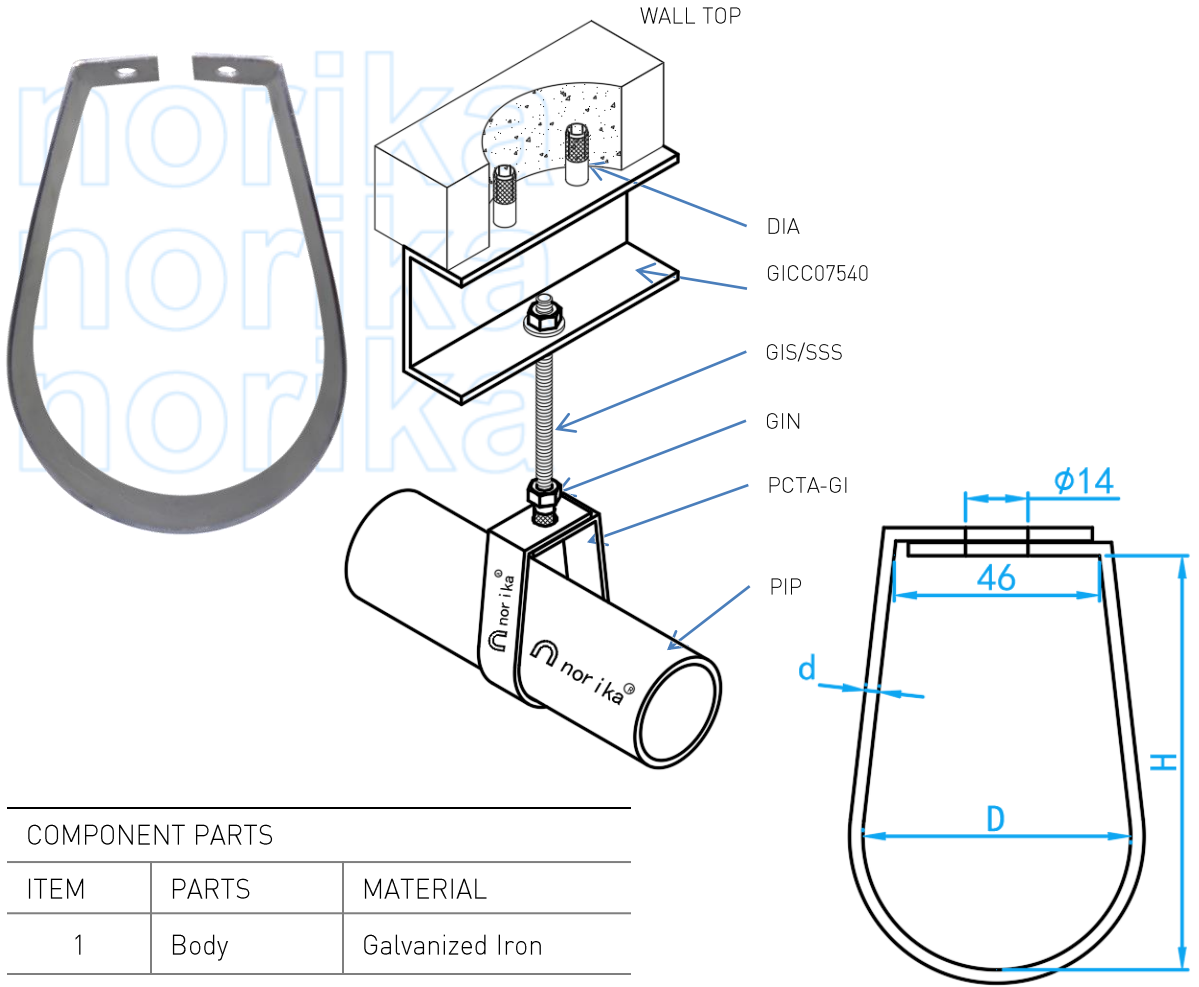
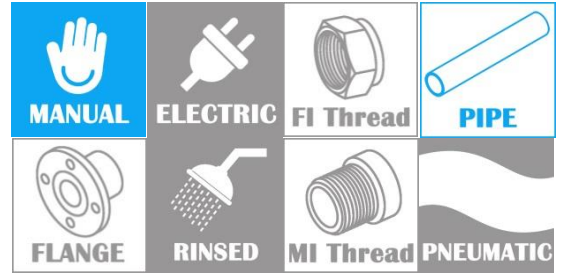


PIPE CLAMP HOT DIPPED GALVANIZED



COMPONENT PARTS		
ITEM	PARTS	MATERIAL
1	Body	Galvanized Iron

SECTION VIEW

DIMENSIONS								
SKU	SIZE (mm)	∅	D (mm)	H (mm)	W (mm)	d (mm)	WEIGHT (kg)	PCS/CTN
PCTA050GI	50	14	60	93	25	3.0	0.180	80
PCTA080GI	80	14	90	127	25	3.0	0.228	70
PCTA100GI	100	14	120	170	25	3.0	0.296	50
PCTA150GI	150	14	165	250	32	3.0	0.525	40
PCTA200GI	200	14	215	330	32	3.0	0.683	30
PCTA250GI	250	17	271	413	40	3.0	1.070	20